



MV88plus

MV88+ Video Kit

The Shure digital stereo condenser microphone, MV88 Plus, user guide.
Version: 6.0 (2021-J)

Table of Contents

MV88plus MV88+ Video Kit	4	Record	18
General Description	4	Compressed Format Recording	19
Features	4	Bit Depth and Sample Rate	20
Quick Setup	4	Using the Apple Watch with ShurePlus MOTIV	20
Mounting the Microphone	5	Connect your Apple Watch to the MOTIV recording app.	20
Recording Audio with the ShurePlus MOTIV app.	6	Controls and Navigation	20
The MV88+ Microphone	6	Recording Tips	21
Microphone Orientation	7	Turn On Airplane Mode and Do Not Disturb	21
MV88+ Outputs	8	Use Lock Mode to Lock In Your Sound	21
Aiming the Microphone	8	Record in Mono	21
Audio Recording	9	Record in Stereo	21
Audio Interview (Tabletop)	9	Use the Dark Theme	21
Landscape (Horizontal) Video Recording	10	Capture the Complete Performance	21
Portrait/Selfie (Vertical) Video Recording	10	Monitor your Recordings	21
Video Interview	10	Keep Screen Awake During Recording	22
Handheld Recording	11	Keep equipment connected during updates	22
The MOTIV App	12	Backup Reminders	22
Device Setup	12	Using MV88+ with your Mac and PC	22
Preset Modes	14	Library	22
Custom Presets	14	Playback	23
Polar Pattern Selection (Stereo and Mono Settings)	15	Converting Multiple Files	24
Direct Monitoring Blend	16	Using the Files App to Manage the MOTIV Library	25
Advanced Mic Settings	17	Recovering Recently Deleted Files	25
Limiter	17	Editing Your Audio	25
Compressor	17	Navigating The Timeline	26
High Pass Filter	17	Creating A Loop	26
Left-Right Channel Swap	17	Markers	27
Equalizer	17	Editor	27
Demo Mode	18	Editing in Split Mode	28

Enhance	29	System Requirements	32
Using Enhance to Improve your Recordings	29	System Requirements and Compatibility: iOS	32
How Does Enhance Work?	29	System Requirements and Compatibility: Android	33
Sharing MOTIV Recordings	29	System Requirements and Compatibility: Mac	33
Save to Camera Roll	29	System Requirements and Compatibility: Windows	33
Customize Track Artwork	30	Specifications	33
Save to Dropbox	30	Supported Audio Formats	35
AirDrop® with MOTIV	30	Accessories	35
Save to iTunes	30	Furnished Accessories	35
Troubleshooting	31	Optional Accessories	35
Firmware	32	Certifications	35
		Information to the user	36

MV88plus

MV88+ Video Kit

General Description

The Shure MV88+ is a professional quality condenser microphone that plugs directly into a mobile device using a Lightning[®] or USB-C connector. Two microphone capsules in a Mid-Side configuration provide an adjustable stereo image, suitable for capturing a variety of sources, including music and speech. The ShurePlus MOTIV[™] app allows you to customize your sound with digital signal processing (DSP), preset mode selection, gain adjustment, compression, and stereo width control.

Features

Mid-Side Stereo

Supports the classic mid-side stereo recording technique. Uses coincident cardioid and bidirectional capsules to adjust the stereo width while providing excellent mono capability.

Plug-and-Play Operation

Compatible with iOS, Android, PC and Mac devices.

Note: See <https://www.shure.com/MOTIVcompatibility> for information on supportive Android devices.

Compact and Durable

Lightweight, all-metal construction and small enough to carry anywhere. Like all Shure products, ensures reliability in the field.

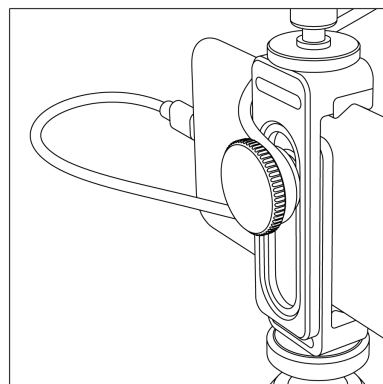
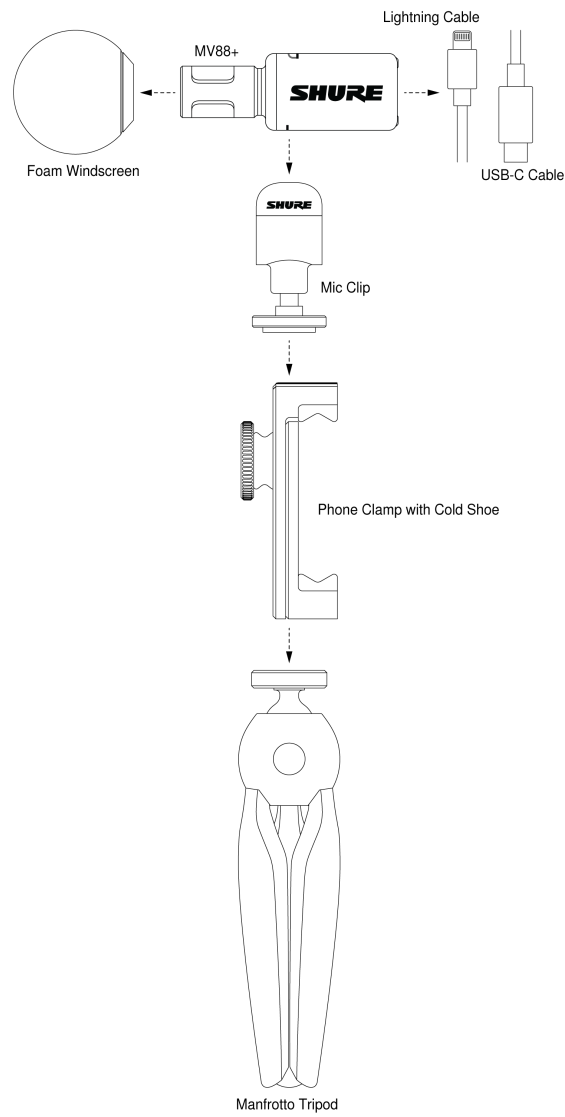
Flexible Recording Control with the ShurePlus MOTIV App

The MOTIV recording app controls microphone settings, such as gain, stereo width, and preset modes, and includes the following features:

- Landscape or portrait record options
 - Basic audio editing
 - Markers for keeping track of audio
 - Dark theme for low-light recording situations
 - Support for all MOTIV microphones
 - Five band equalizer
 - Live streaming capability
 - Dropbox[™], AirPlay[®] and Bluetooth[®] support
 - Factory and custom user presets
 - Virtual mic options in demo mode
 - Multiple bit depth and sample rate options
-

Quick Setup

Mounting the Microphone



Note: Use the knob on the back of the phone clamp to keep the cable in place and out of the way of the camera.

Recording Audio with the ShurePlus MOTIV app.

Use the MOTIV app to change microphone settings and to record and edit your audio.

1. **Adjust your microphone settings.**

Select a preset mode that matches your recording situation. Set mic gain and stereo width to optimize audio recordings. See "Aiming the Microphone" for mic placement information and "The MOTIV App" for information on adjusting compression, equalization, and more.

2. **Set your device to Airplane Mode and Do Not Disturb.**

This allows you to record with no audio interruptions from phone calls or app notifications.

3. **Test your settings.**

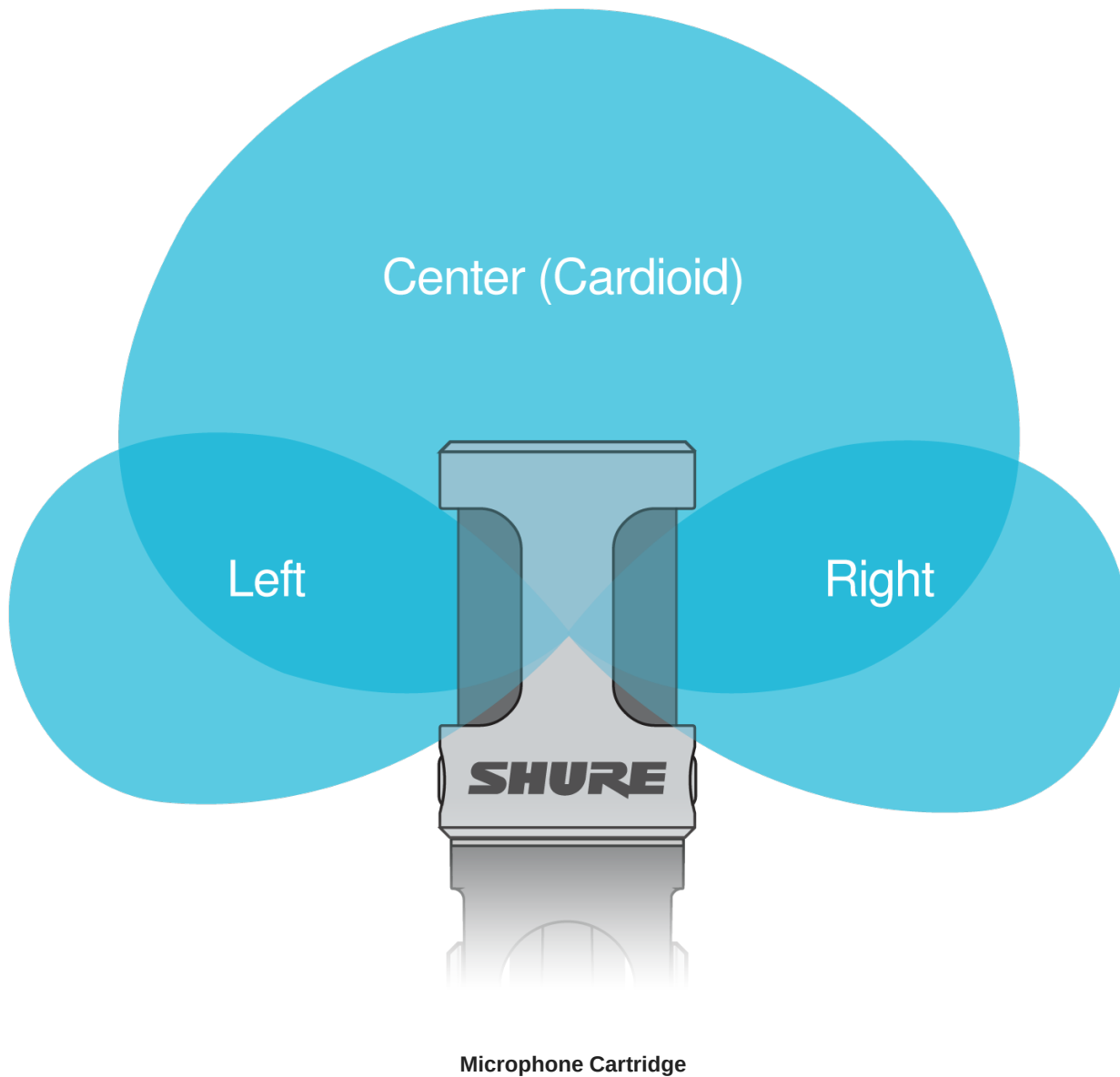
Make a test recording. Listen to playback and adjust your settings as needed. Once you start recording, only mic gain can be adjusted.

4. **Press the red Record button to begin recording.**

The microphone retains settings from the last time you used the MOTIV app.

The MV88+ Microphone

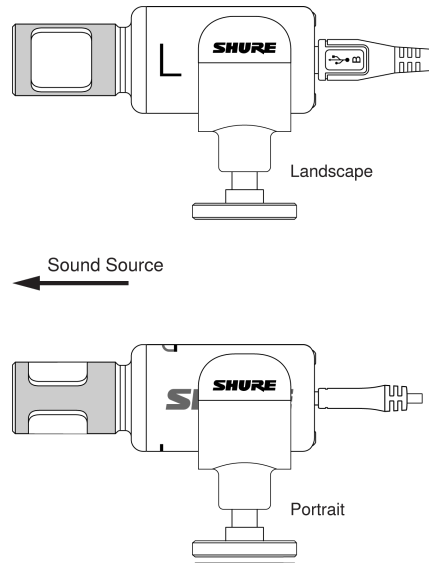
The MV88+ features two capsules: one capsule has a cardioid pattern and picks up sound directly in front of the microphone. The other is bidirectional and captures sound from the left and right sides.



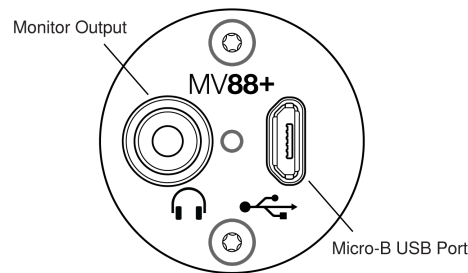
Microphone Orientation

Rotate the microphone barrel in the mic clip to ensure that your stereo recordings are accurate. Point the front of the microphone toward the sound source. For landscape (horizontal) recording, position the L and R indicators to the right and left. For portrait (vertical) recording, simply rotate the microphone barrel in the mic clip.

Note: The app has a Left-Right Channel Swap to flip the audio channels.



MV88+ Outputs



- 3.5mm monitor output for connecting to headphones and earphones
- Send audio to your recording device using the micro-B USB port

MV88+ LEDs

iOS	Android/Mac/PC
Green: Mic active, audio flowing	Green: Power is on
Amber: Error	
Flash Amber: Firmware is updating	
Red: Microphone is muted	
Flash Red: Audio is clipping	



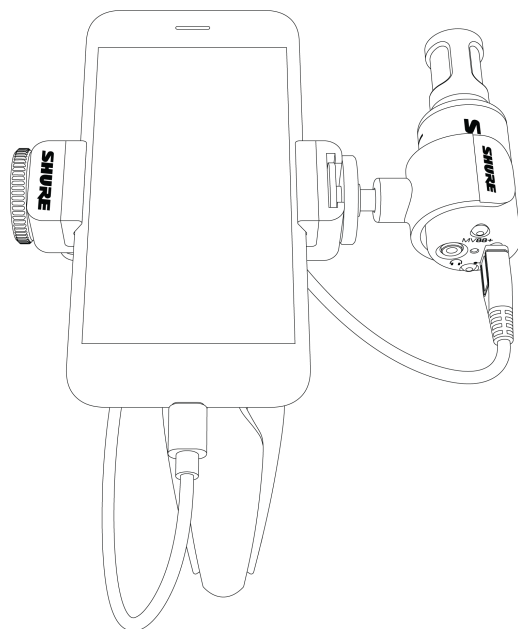
Aiming the Microphone

The following suggestions are for typical use cases. Keep in mind that there are many effective ways to record a source. Experiment to find what works best for you. The MV88+ fits into a standard A25D mic clip. So, you can place it anywhere that you can put a mic stand.

Tip: For correct stereo orientation, ensure that the Shure name is clearly visible on the top of the microphone. If the name is not visible, adjust the microphone accordingly.

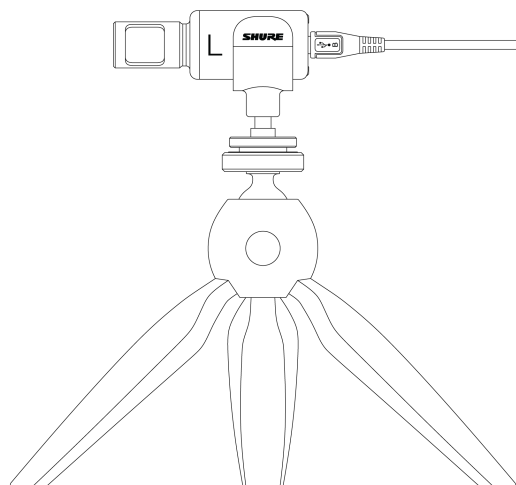
Audio Recording

Position your recording device so you can monitor the recording. Aim the front of the microphone toward the source, with left and right sides of the microphone barrel facing the appropriate directions.



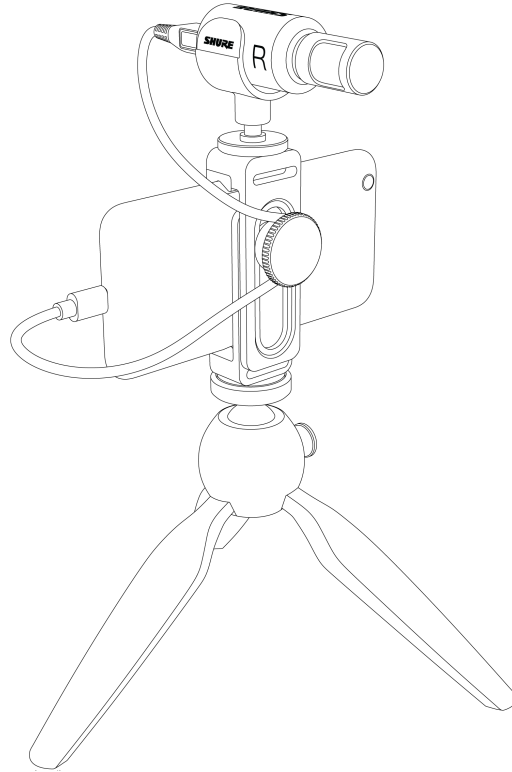
Audio Interview (Tabletop)

Attach the mic clip directly onto the Manfrotto mic stand. Select the MONO BIDIRECTIONAL polar pattern in the MOTIV app. Point one side of the microphone barrel toward the subject and the other toward the interviewer.



Landscape (Horizontal) Video Recording

Aim the front of the microphone toward the source. Ensure that the left and right sides of the microphone barrel are facing the appropriate sides.



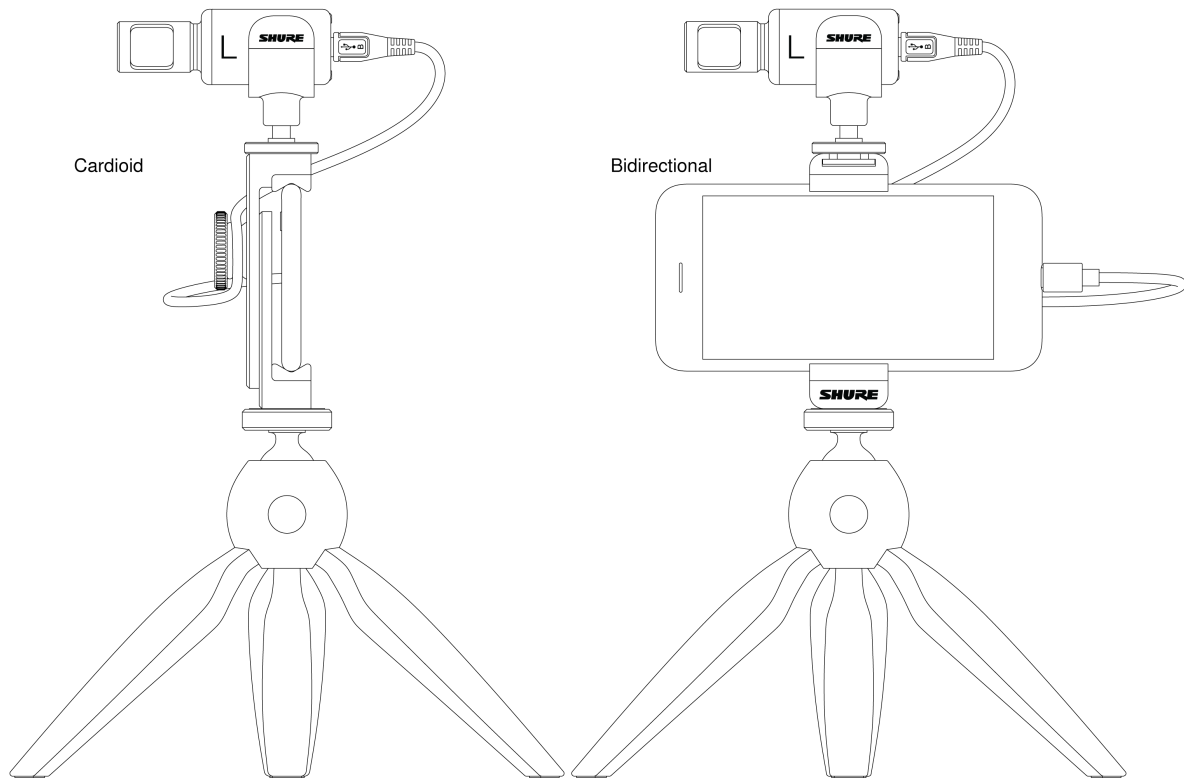
Portrait/Selfie (Vertical) Video Recording

Aim the microphone toward yourself and select Left - Right Swap.

Tip: If you begin shooting in portrait mode, video will remain in portrait mode even if device orientation is turned to landscape.

Video Interview

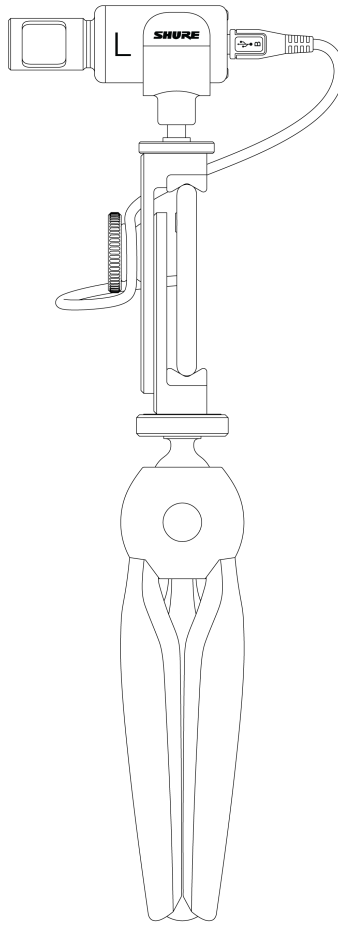
- To record audio from on-camera audio only, select the CARDIOID polar pattern and point the microphone toward your subject.



- To capture the voices of both the on-camera subject and the off-camera interviewer, select the MONO BIDIRECTIONAL polar pattern in the app. Position the microphone with the left and right sides facing each person.

Handheld Recording

The legs collapse to create a portable hand-held stand.

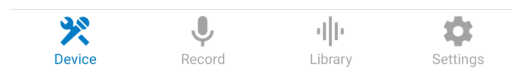


The MOTIV App

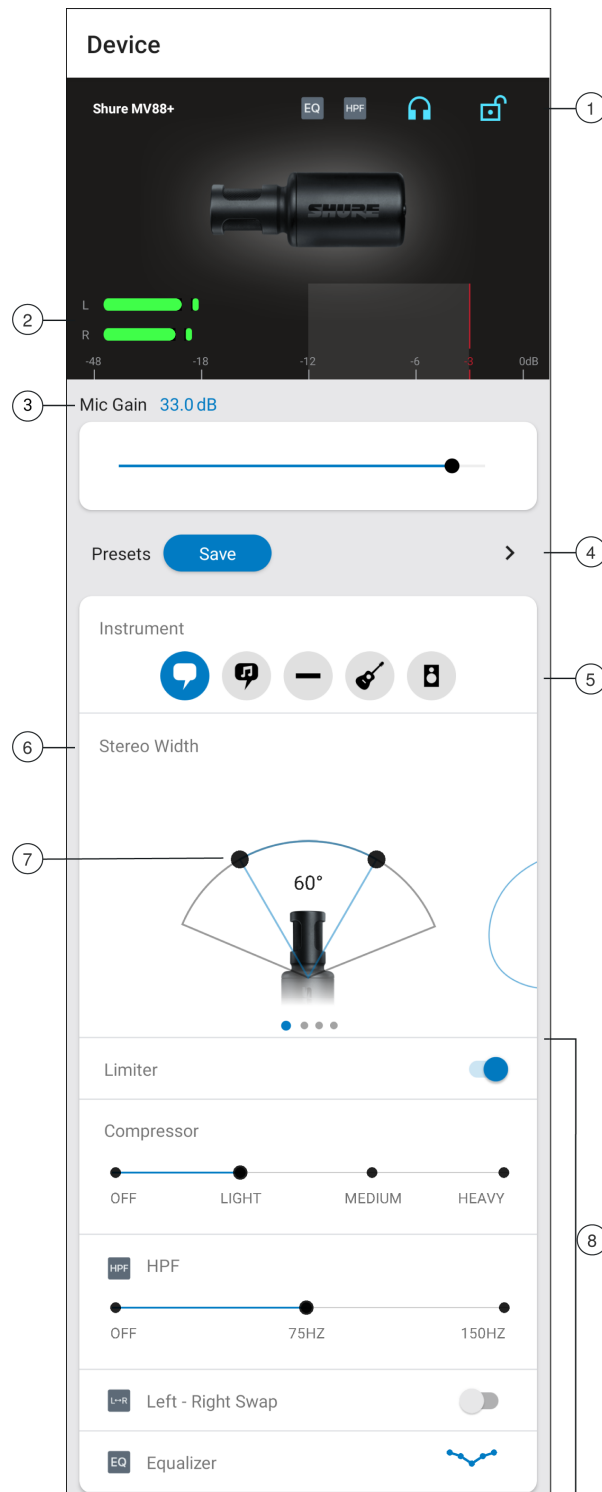
Use the MOTIV app to change microphone settings and to record, edit, and share audio. The device stores the most recently used settings for quick setup each time you record.

Tip: Turn on Airplane Mode and Do Not Disturb to prevent interruptions to the recording caused by phone calls, text messages, or alerts.

Device Setup



Tap Device on the navigation bar to access microphone settings








① **Notifications** The top row displays which device is connected. A red flashing dot next to the name let you know whether recording is active. The charms show which advanced features are on. Tap the headphone icon to access direct monitoring control. Tap the lock to lock or unlock the settings.

Note: Lock the settings to prevent accidental changes to settings when handling your device during recording. When mic settings are Locked, the setting screen is grayed out.

- ② **Input Meter** Displays the strength of the input signal and whether that signal is mono or stereo. The loudest peaks should reach within the target range (indicated by the shaded region between -12 and -3 dB).
- ③ **Microphone Gain** Adjust the mic gain slider to set the volume of the sound source.
- ④ **Custom Presets** Tap the caret to quickly access your saved presets. Or tap the Save button to save current settings. See Custom Presets for more information.
- ⑤ **Preset Modes** Set stereo width, equalization, and compression for specific applications. See "Preset Modes" for more information.
- ⑥ **Polar Pattern Selection** Swipe to choose your pick-up pattern. Use the handles to adjust the width of the stereo image.
- Tip:** Consider the location of the microphone and the size of the sound source when adjusting the width. For example, a large orchestra or ensemble recording benefits from a wide stereo image, which increases separation between instruments. Speech benefits from a narrow width, which improves clarity and rejects ambient (room) sound.
- ⑦ **Stereo Width Handles** Use the dots to quickly set stereo width.
- ⑧ **Advanced Features** Fine tune your audio recording with limiter and compressor controls, high pass filter, left-right swap, and equalization settings.

Preset Modes

Five selectable modes optimize settings for gain, stereo width, equalization, and compression. Set the microphone level and try the modes to find which sounds best. Preset modes can affect the strength of the input signal, so adjust the microphone level as needed after changing presets.

Mode	Application	Characteristics
 Speech	speech	Narrow stereo width to reject background noise, equalization that emphasizes clarity and fullness, and gentle compression.
 Singing	solo or group vocal performances	Medium stereo width with subtle equalization to add richness and clarity for a natural sound.
 Flat	any	An unprocessed signal (no equalization or compression settings used). Adds flexibility when processing the audio after recording.
 Acoustic	acoustic instruments and quiet music	Medium stereo width with transparent compression to smooth out volume spikes and bring out quiet passages. The equalizer setting emphasizes detail and an overall natural sound.
 Loud	live performance and louder sources	Wide stereo to increase separation between sources. Equalization further improves definition by reducing frequencies that can make the instrumentation sound crowded.

Custom Presets

Create and save custom presets to quickly access frequently used mic settings.

1. Start with the preset mode that best suits your application needs.
2. Adjust advanced settings, like compression, for clarity and consistency.
3. Tap Save to rename your preset, or use the default name.
4. Custom preset is added to your list.



To access saved presets:

1. Tap the caret (arrow) in the Preset row to view your list of saved presets.
2. Tap custom preset and Apply Preset to instantly apply gain, stereo, equalization, and compression preferences.

Tip: You can save a custom preset at any point by tapping Save.

Polar Pattern Selection (Stereo and Mono Settings)

The following demonstrates microphone capsule pick-up patterns. When operating in a mono mode, stereo width is not adjustable.

	Stereo	Front = On Sides = On
	Mono Cardioid	Front = On Sides = Off
	Mono Bidirectional	Front = Off Sides = On
	Raw Mid-Side	Front = On Sides = On See "Raw Mid-Side Output" for more information.

Raw Mid-Side Output

For increased post-processing flexibility, use the Raw Mid-Side setting. This records signal a 2-channel signal with a stereo image that can be adjusted even after the tracks have been recorded:

Left: Cardioid (front)

Right: Bidirectional (sides)

Use the Raw Mid-Side setting with audio recording applications that have a mid-side stereo matrix decoder. Or use the manual decoding instructions to adjust the stereo image of the recorded tracks.

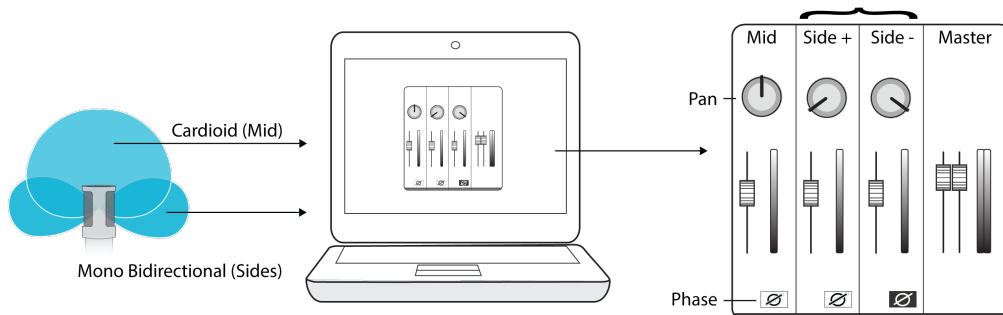
Manual Decoding and Stereo Width Adjustment

If your digital audio workstation software (DAW) has no mid-side decoder, use these steps to adjust and manipulate the stereo image:

1. Extract the left and right audio signals from the 2-channel Raw Mid-Side file as individual mono tracks.
2. Create 3 blank audio tracks:
 - **First track:** Use the audio signal (front/cardioid) from the **left channel only** as a mono track, panned to the center.
 - **Second track:** Use the audio signal (side/bidirectional) from the **right channel only** as a mono track, panned all the way to the left.
 - **Third track:** Copy the side/bidirectional signal from the second track. Pan this track all the way to the right and **reverse the phase**.

- Group the right and left side tracks, and set the volume at the same level for simultaneous adjustment. Increasing the volume of the grouped tracks increases the stereo width, while decreasing their volume narrows the width.

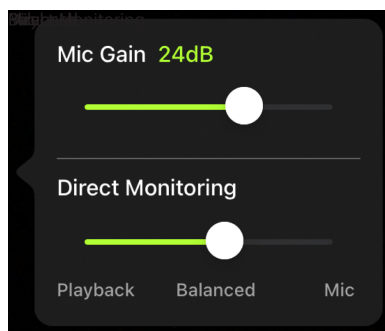
Advanced tip: Using compression with a fast attack setting on the grouped tracks keeps transients (the first part of a sound, such as when a drum stick strikes a cymbal) toward the center of the stereo image and allows them to expand within the stereo field as the sound decays.



Manual Decoding of Raw Mid-Side Audio

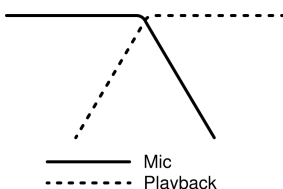
Direct Monitoring Blend

There are two ways to access the Direct Monitoring slider when you want to adjust your monitor source. Tap the input meter to view the mic gain and monitoring blend sliders. Or you can view the slider by tapping the headphone icon in the device settings tab.



Use the direct monitoring slider to determine how much of each input you hear. For best results, start monitoring at the mid-point and adjust.

- Move the slider towards Mic to hear more of the audio that is being currently recorded by the microphone.
- Move the slider towards Playback when you want to listen to the previously recorded audio and less of the audio coming in to the microphone. This is useful for when you want to review your recording.



As one source increases, the other source decreases.

Advanced Mic Settings

After you have selected the preset mode for your application, fine tune the sound of your recording with limiter, compressor, and equalizer controls. Your settings will be retained in the microphone when using other audio and video recording applications.

Limiter

Toggle the limiter on to set an input threshold and prevent distortion from volume peaks in your recordings.

Compressor

Choose no compression, or select light or heavy compression to control volume when your sound source is dynamic. The compressor will narrow the dynamic range, which means that quiet signals are boosted and loud signals are lowered.

High Pass Filter

Choose no HPF for the most natural sound. Or select 75 Hz or 150 Hz to reduce wind noise, room noise, or proximity effect.

75 Hz Low frequency cutoff Provides a 6 dB-per-octave cutoff at 75 Hz. Helps eliminate floor rumble and low-frequency room noise from heating and air conditioning systems. This setting may also be used to compensate for proximity effect or to reduce low frequencies that make an instrument sound dull or muddy.

150 Hz Low frequency rolloff Provides a 6 dB-per-octave rolloff filter at 150 Hz. Use this to compensate for proximity effect or to reduce low frequencies that could make an instrument sound dull or muddy.

Left-Right Channel Swap



For stereo recordings, use Left - Right Swap to flip the left and right audio channels to match the stereo image to the video. For example, when using video to record yourself.

Tip: Use the L and R indicators on the microphone barrel. This way you can set Left - Right Swap before you start to record.

Equalizer



Change the preset modes to hear the DSP changes, and then use the equalizer to boost or cut bands of frequencies to improve sound clarity.

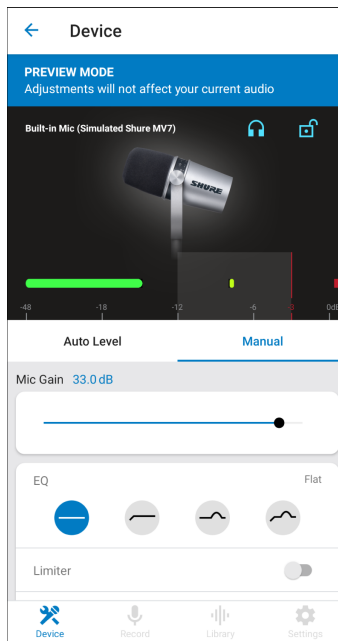
Note: Equalization within presets will not be displayed. However, the equalizer graphic in the advanced settings status bar displays the user-selected equalization.



Tap to access the MOTIV equalizer. Equalization changes are displayed in the equalizer image.

EQ persists between preset mode changes.

Demo Mode



Demo mode allows you to test out all devices in the MOTIV series.

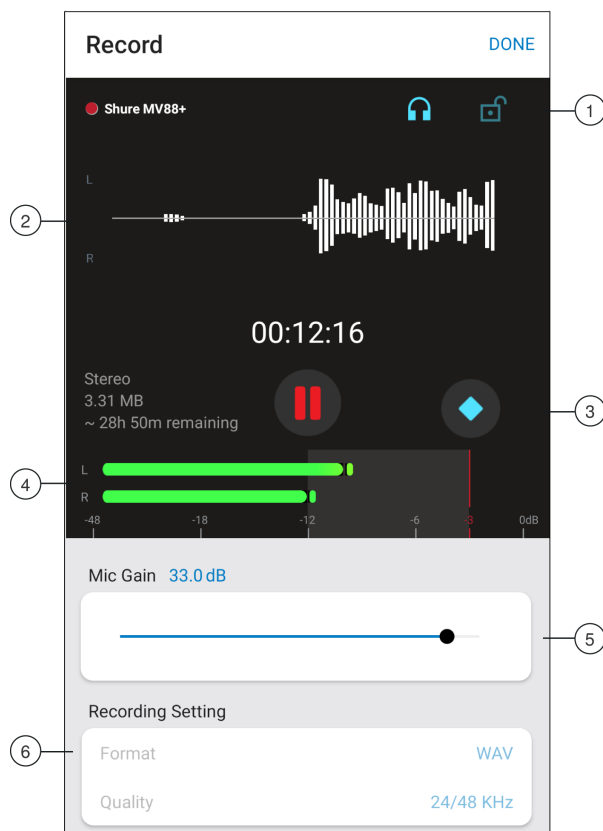
1. Swipe through the list to see the available devices.
2. Tap Learn More for more information about each device. Or tap Next to explore the microphone settings.

Note: Settings in demo mode are for demonstration and are not saved within the app. Demo mode is only available when there is no microphone plugged in to the device.

Record



Tap Record on the navigation bar to access the record button and timeline.



Record Settings

① **Connected Device Status** Status displays the connected MOTIV device. Red flashing dot indicates that recording is in progress.

② **Settings Status** Displays the icons for advanced settings that are currently enabled.

③ **Microphone Gain** Adjust the volume of the sound source. Keep levels in the target range (indicated by the shaded region on the input meter).

④ **Timeline Display** Displays the waveform of the sound while recording.

- **Stereo Recording:** A complete waveform is shown.
- **Mono Recording:** Half of the waveform is shown.

⑤ **Record Time Remaining**

⑥ **Bit Depth and Sample Rate** Use the drop-down menu to select your bit depth and sample rate. See "Bit Depth and Sample Rate" for more information.

⑦ **Track Information** Displays the name, file format, and size of the recording in progress.

⑧ **Record Control Bar** The Marker button, Record/Pause button, and the Done check mark button.

Note: The maximum file size for a recording is 2GB, approximately 2 hours of record time. This limitation maximizes app performance. Continuous recording for more than 2 hours will generate a second file.

Compressed Format Recording

The MOTIV app records uncompressed audio files to provide the highest quality recording. However, you might find it more useful to record in a compressed file format. Compressed files take up less storage space allowing you more space on your device to record. It's also easier to share compressed files by message or email because compressed files use less data. Con-

sider using a compressed format for recording demos or initial ideas because in this case it is more important to capture the idea than have the highest possible fidelity recording.

If you are unsure about which format to choose, start with the highest quality setting. You can always compress files later from your library if you find that you require smaller file sizes. See the Supported Audio Formats section to learn about the file formats that are available to you.

Remember: You can convert compressed audio to an uncompressed format, uncompressed audio to a compressed format and one type of compressed format to another. However, only WAV files can be edited. If you need to edit a file, convert the file to a WAV file first.

Bit Depth and Sample Rate

Find the Bit Depth and Sample Rate settings in the drop-down menu on the right side of the record window. Select a lower sample rate when it is useful to have a smaller file, for example, when recording speech or a podcast for download. Select a higher sample rate for music and dynamic recordings.

If no alternate is selected, MOTIV will record audio at 24/48 kHz. However, the following bit depths and sample rates are supported.

Bit Depth	Sampling Rate
24	48 kHz
24	44.1 kHz
16	48 kHz
16	44.1 kHz

Using the Apple Watch with ShurePlus MOTIV

The ShurePlus MOTIV Apple Watch app allows greater recording flexibility when using it as a remote control for the ShurePlus MOTIV Audio and Video Recording Apps.

Connect your Apple Watch to the MOTIV recording app.

1. Open the Watch App on your iPhone, then tap the My Watch tab
2. Apps that are available to install will appear in the Available Apps section
3. Find the MOTIV Watch app and tap Install

Note: See the [Apple support page](#) with additional instructions on Apple watch app installation.

4. The Apple watch will recognize when your MOTIV mic is connected to your phone. The microphone name will be displayed in the upper left corner when the connection is made.
5. Placement of the microphone depends on the size of the room, number of people, and instrument volume. If possible, walk around the room and listen to find where it sounds best.
6. Select the correct preset mode for your recording application. Adjust the microphone level and other settings in the app and place the microphone near your source.

Note: Advanced settings should be set up before microphone is in place. The Apple Watch app will only allow you to control record, pause recording, complete recording, make bookmarks and set and lock gain control.

Controls and Navigation

Start recording: Tap the red record button

Pause recording: Tap the pause icon. You can continue recording from a paused state

Create bookmark: Tap the bookmark icon

Stop recording: Tap the Done button

Adjust gain: Use the digital crown on the Apple Watch

Lock mic gain: Tap the lock icon

Recording Tips

Turn On Airplane Mode and Do Not Disturb

When you plug a MOTIV device into your iOS device, a warning message prompts you to enable Airplane Mode and Do Not Disturb mode. It's important to do this to avoid recording interference from phone calls, messages, and various notifications. Tap X to dismiss this warning message.

Note: Leave Airplane Mode off to add geolocation information to your audio file.

Use Lock Mode to Lock In Your Sound

When you've tested your audio and have found the levels that you like, turn on Lock mode to prevent accidental adjustment, and ensure that your audio quality remains consistent.

Record in Mono

Record in mono to increase your available record time or when recording a single source, like vocals, that would benefit from less ambient noise. Select the Mono Cardioid or Mono Bidirectional polar pattern and audio from all capsules are summed to a single channel. The input meter will indicate mono recording by displaying the top half of the waveform. MOTIV supports third-party microphones with mono recording.

Record in Stereo

Rotate the MV88+ barrel in the mic clip to accommodate portrait or landscape recording. L and R are labeled to show stereo orientation of the microphone. The stereo image is accurate if the Shure logo is facing upward.

Use the Dark Theme

Select the Dark screen option to change the app display from light gray to very dark gray. The darker display is ideal for discreet recording in low-light situations. A darker screen also conserves battery life.

You can access the theme appearance setting by going to Menu > Settings > Appearance

Capture the Complete Performance

To ensure that you capture the entire sound source, start your recording before the performance starts and edit the recording later to trim any silence.

Note: If your microphone accidentally becomes disconnected during recording, MOTIV will automatically stop the recording. The save file dialog will appear, prompting you to name and save your audio.

Monitor your Recordings

To make sure that your recordings sound great, plug headphones directly into the headphone output on your MOTIV device.

Keep Screen Awake During Recording

Select the Keep Awake While Recording option so you can continuously monitor gain levels during longer recording sessions without the screen going dark.

You can access the Keep Screen Awake option by going to Menu > Settings > Keep Screen Awake During Recording.

Note: Disabling sleep mode will affect battery time while recording.

Keep equipment connected during updates

Keep the MOTIV device connected to your mobile device when updating to ensure that there are no update issues.

Backup Reminders

You will be prompted to back up your recordings. We recommend that you periodically back up your MOTIV files to another computer or device. This allows you the freedom to edit or delete files in the app and remain confident that you'll always have a backup stored somewhere else. Additionally, you will regain space on your device so you can confidently record long recording sessions without worrying about not having enough space.

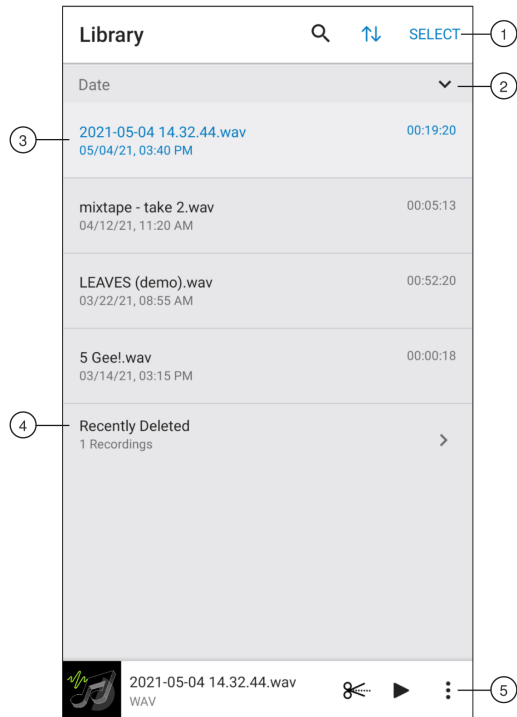
You can schedule the frequency of backup reminders by going to Menu > Settings > Backup Reminders.

Using MV88+ with your Mac and PC

MOTIV microphones do not require special drivers and are compatible with most Mac or PCs. The MV88+ settings (except for mic gain) cannot be adjusted via computer, however, the microphone does retain its last settings as configured by the MOTIV app.

Note: USB-A cable is not included.

Library



① Library Search/Sort/Select

- **Search:** Search for files in your library by file name or file type.
- **Sort:** Tap the sort icon to organize files by name, date, size or file type.
- **Select:** Use the Select button to choose one or multiple recordings to convert, share, or delete.

② **Sort Order** Tap the caret to display the tracks in order or reverse order.

③ **Track List** Displays your list of recorded tracks.

④ **Recently Deleted** Your recently deleted files will be stored here for 30 days. See the Recently Deleted files topic to learn how to recover files.

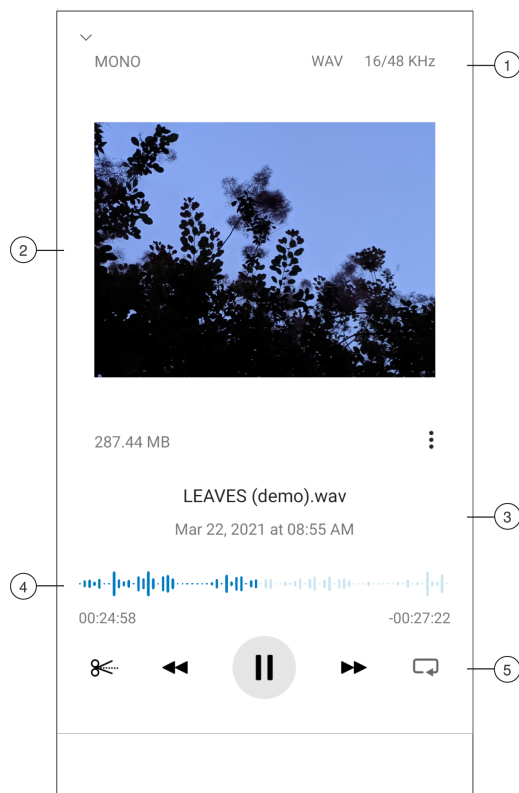
⑤ Audio Player Bar

- Tap the track name to open the playback window
- Tap the Edit scissors icon to access the file Editor.
- Play and pause recordings.
- Tap the three dots to rename, share, convert file format, add artwork, or delete files.

Note: iOS users have the ability to search for files in the MOTIV Library by using the Spotlight feature.

Playback

Double-tap the track name in the audio player to access the Playback window.



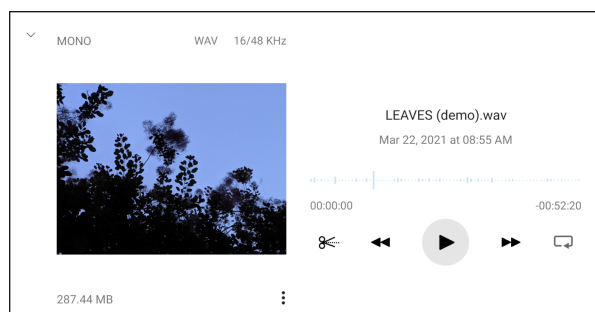
① **Track Information** Displays the name of the currently playing track, including file format, bit depth, sample rate, and stereo or mono.

② **Track Artwork** Keep the MOTIV artwork. Or customize your artwork with images from the photos in your device. See "Customize Track Artwork".

③ **File Information** Displays the record date and time, and the microphone that was used.

④ **Playback Timeline** See where you are in the track as it progresses. The time elapsed and time remaining are displayed below the timeline.

⑤ **Playback Controls** Edit, Rewind, Play/Pause, Fast-Forward, and Loop your track.



Playback in horizontal view

Converting Multiple Files

Shure MOTIV allows you to convert, share, or delete multiple files at a time. Only WAV files can be converted.

1. Tap Select in the top-right corner of My Recordings.

2. Select all the files that you want to convert. A blue check mark will appear next to selected files.
3. Tap Save As to display conversion options. Converting the files adds the new files to the My Recordings list.

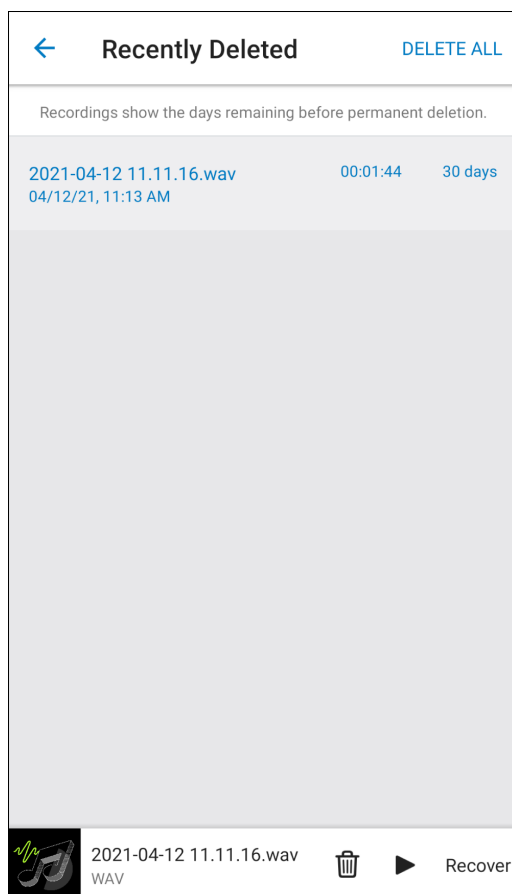
Using the Files App to Manage the MOTIV Library

Access your MOTIV audio files from inside the Files app. The MOTIV app will create a MOTIV folder inside Files, including a recently deleted folder inside the MOTIV folder. Here you can copy your files to other folders or share to other apps on your device if those apps support file sharing. When you copy or move your files outside the MOTIV storage, you can ensure that those files will not be deleted if the MOTIV app gets uninstalled.

Note: Any changes made to MOTIV recordings in the Files app will be reflected in the MOTIV app. This means that if you change a file name or delete a track in Files, you will see those changes or deletions in the MOTIV app library. MOTIV and the MOTIV folder in Files remain consistent. If you move a track in Files to another location, that track will no longer show up in the MOTIV library. Also, if you were to add a file to the MOTIV folder in Files, that would show up in the MOTIV app library.

Recovering Recently Deleted Files

Files that you no longer need can be deleted and will disappear from your library. However, you might find that you have mistakenly deleted a file that you want to keep. In this case, the Recently Deleted folder is a temporary safety net that will store files for 30 days before permanently deleting them.



Editing Your Audio



Tap Edit to access editing controls for each track.

The MOTIV Editor allows you to polish your recordings before sharing them with friends or online.

There are two edit mode options:

- Split Mode allows you to split a long audio file into one or more separate tracks. This is useful when you've recorded a long performance and want to be able to listen to different sections individually.
- Trim Mode lets you trim the start and end of your recorded track.

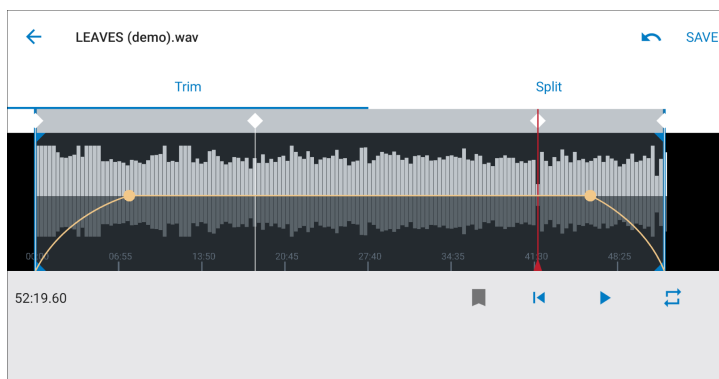
Navigating The Timeline

There are three ways to move around the timeline.

- Double tap the timeline to bring playhead to current view.
- Use the markers to move the playhead to a specific point.
- Tap and drag the red playhead bar to a new point in the timeline.

Press Play to begin playback from that selected point.

Pinch two fingers together to zoom out. Pinch apart to zoom in.



Use Landscape mode in the Editor to view more of the waveform.

Creating A Loop



Create a loop to isolate and repeat a selection of audio.

- Select the Loop button to select the entire track. The waveform in the highlighted blue area will be looped.
- Select and drag the markers on the timeline to adjust your loop.
- Press Play to hear the loop and adjust until you find the best sound.

Markers



Markers are audio bookmarks that allow you to return to specific points in your recording. They do not affect playback start and stop points but are useful for reference. When used in Split mode, the marker placement determines the split point for the file. Markers are identified by hour, minute, second, and millisecond (00:00:00:00), however they cannot be placed closer than one second apart from one another.

Markers in Record Mode

Adding a marker: Tap the Marker button to insert a marker at the playhead location.

Markers in Edit Mode

The marker list opens with Start and End markers for your audio track.

Playback from a specific point: Tap any marker to begin playback from that marker point.

Adding a marker: Press the plus sign to insert a marker at the playhead location.

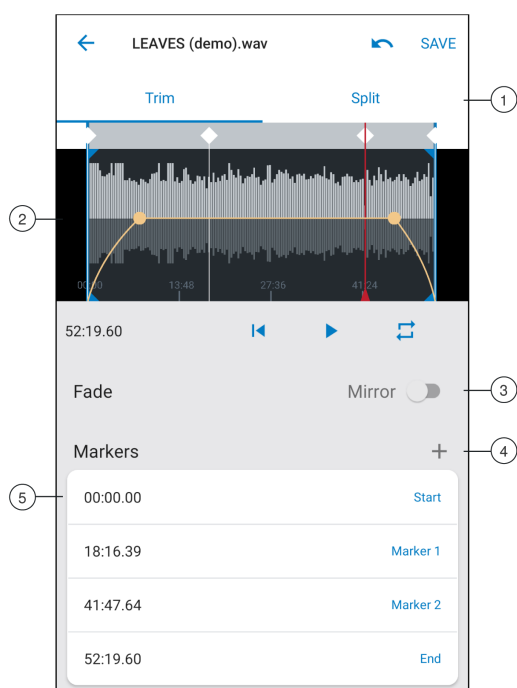
Moving a marker: Press and drag an existing marker to a new location on the timeline.

Using the marker list: Tap the marker in the list to move the playhead to that location.

Renaming markers: Press and hold the marker label in the list.

Deleting markers: Swipe left on the marker in the list to reveal the delete option.

Editor



① **Timeline Display** See your entire timeline. Zoom in for precise editing.

- ② **Trim / Split Select** Select your edit mode.
- ③ **Marker List** All recordings begin with Start and End markers. See "Markers" for more information.
- ④ **Add Markers** Click to add a marker at the playhead position.

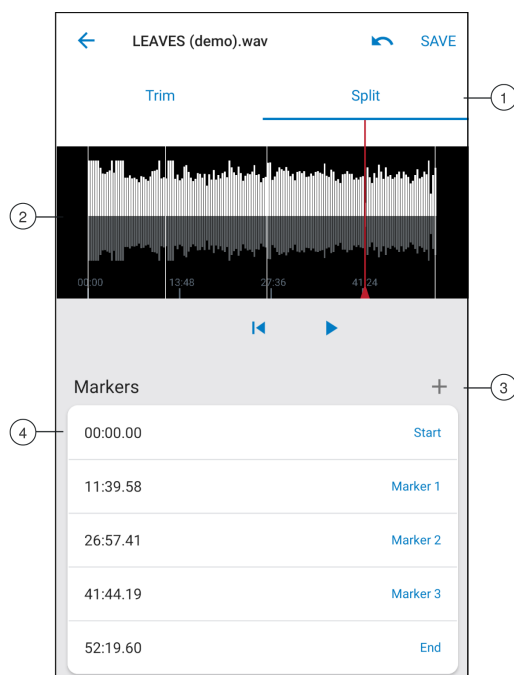
Editing in Trim Mode

Trim mode is used to trim the extra space from the Start and End of your audio track.

1. Go to My Recordings to select the audio file that you would like to edit.
2. Select the Edit icon to open the Editor.
3. The blue lines represent the Start and End points of your track. Select and drag the blue line to adjust Start and End times.
4. Select Loop to have the loop play in a circle and allow you to hear your track before committing to edits.

Tip: To undo the last action on your iOS device, just shake the device. You will receive a pop-up asking you to Undo the last action or Cancel.

Editing in Split Mode



- ① **Timeline Display** See your entire timeline. Zoom in for precise editing.
- ② **Trim / Split Select** Select your edit mode.
- ③ **Playback Controls** Loop, Rewind, Play/Pause, or Add Bookmarks to your track.
- ④ **Marker List Item** Displays name and position in hours, minutes, seconds, and milliseconds.

Use Split Mode when you have a long audio file that you'd like to divide into smaller audio files. Create new edited files while keeping your original file intact.

1. Go to My Recordings to select the audio file that you would like to edit.
2. Select the Edit icon to open the Editor.
3. Place a marker at the point where you want to split the audio.
4. Select Split.
5. Keep the original file format or select a new one.

- MOTIV uses the file name but adds numbers to the names of your new, separated tracks. In Split mode, when you divide a track in half, My Recordings now displays three tracks. The original track remains intact and the first and second tracks that were created with the Split edit.

Note: Double tap on the timeline to zoom in to a location. The closest possible zoom length is two seconds. After you reach the closest zoom, the double-tap will zoom out.

Enhance

Enhance is a quick way to make recordings sound better and more suitable for sharing. By selecting one of the three levels, low, medium, or high), you can automatically adjust the loudness, compression and other qualities of your recording.

Low	Best suited for speech recordings
Medium	Best suited for quiet musical content
High	Best suited for loud or amplified musical content

Using Enhance to Improve your Recordings

To preview the changes made by the enhance feature, select the part of your audio file where you would like the preview to start. Once your file is processed, enhance can adjust settings.

- Place the playhead (red bar) where you would like the preview to start.
- Tap Low, Medium and High to hear how your file changes with different enhance levels.
- Select the level that sounds best and then Save. You can save the file or rename it to create a new file.

Note: Every time the file is changed, you will need to apply Enhance again to process the changed file.

How Does Enhance Work?

By selecting one of the three Enhance levels (low, medium, high), a series of processing algorithms are applied to your file. The amount of processing depends on the level that you have selected. Loudness, compression, soft and hard limiting are applied to all levels. Automatic equalization is applied to the medium and heavy Enhance levels. Preview the levels and select the one that sounds best. Save the file with a new name or preserve the original track and create a new enhanced file with a new name.

Tip: Start by applying enhance to a single track. It will be faster to process each file individually. Also, different tracks will have different levels and tones. By processing one file at a time, you can be sure that enhance is getting the best sound out of each track.

Sharing MOTIV Recordings

Save to Camera Roll

Convert your audio into a video file that can be easily shared to social media from your iOS device Camera Roll.

- In My Recordings, select the file you want to convert.
- Select the Share button.
- Select Save to Camera Roll.
- The conversion will happen automatically. Large files will take longer to convert.

Note: The first time you save to Camera Roll you will be asked to grant permission for file sharing between apps. If you accidentally dismiss permissions, you can always change access in the iOS device settings. Granting permission creates a MOTIV folder inside the Camera Roll.

- When the conversion process is complete, you will receive a notification letting you know that the save to Camera Roll was successful and your track is available for sharing.

Customize Track Artwork

You have the option to add an image to your recording.

- In the My Recordings tab, select the file that needs artwork.
- Tap the three dots next to the file name.
- Select Add Artwork to view available image files.
- Select a photo. If you decide to change the artwork, repeat the process and select another image.

Save to Dropbox

Save your MOTIV files to Dropbox to store backup copies, free up space on your iOS device, or share to social media.

- Open the MOTIV app and go to My Recordings.
- Tap the Select button to choose one or multiple files.
- Select share and choose Dropbox.

Note: You may need to grant access between MOTIV and Dropbox. Selecting "Allow" creates a MOTIV folder inside Dropbox and links the apps.

- When the file successfully uploads, the file saved notification appears.

Note: Large files may take longer to upload.

Now that your file is uploaded to Dropbox, you can store backup copies of your recordings or share them on social media.

AirDrop[®] with MOTIV

MOTIV supports the ability to AirDrop WAV files to selected contacts.

- Open the MOTIV app and go to My Recordings.
- Tap the Select button to choose one or multiple files.
- Select Share and then More to see your AirDrop contacts.

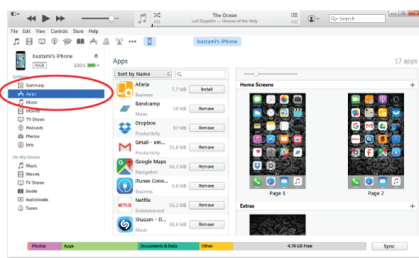
Save to iTunes

Use iTunes to easily transfer audio files between your desktop computer and iOS device.

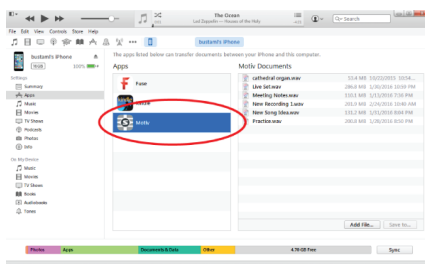
- Connect your iOS device to a computer and open iTunes.

Note: The most current version of iTunes is recommended.

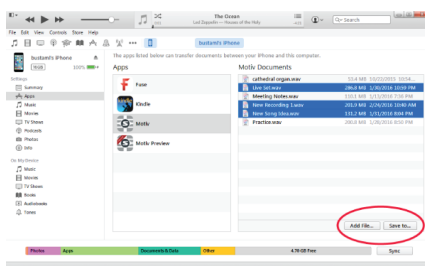
- Select your device icon and then select "Apps" from the settings column.



3. Select MOTIV from the file sharing section at the bottom of the screen. You might need to scroll all the way to the bottom using the far right scroll bar. This will display your MOTIV documents.



4. Highlight the recordings you'd like to save and choose the "Save to" button.



Note: Large files may take longer to upload.

Now that your files are downloaded to your computer you can add them to the iTunes library or import them into any audio editing program.

Note: Use the add file button to upload audio from your computer to the MOTIV app.

Troubleshooting

Issue	Solution
Microphone is plugged in, but the volume meter does not register a signal.	Edit the privacy setting for your recording device under SETTINGS > PRIVACY > MICROPHONE to give the app permission to use the microphone.
Microphone is plugged in, but not detected.	Unplug and reconnect the cable connections so that the app recognizes the microphone. You'll know that the connection is secure when you see the microphone name visible in the status bar.
You hear no audio despite LEDs and the volume meter responding as if audio is present.	Check the Monitor Mix blend to ensure that audio is passing and you can monitor playback. Move the Monitor Mix slider to the center to hear audio that is being currently recorded and previously recorded audio.
Audio sounds bad or distant.	To ensure that you are receiving audio from the MOTIV microphone and not a built-in microphone; unplug and reconnect the microphone. You'll know that the connection is secure when you see the microphone name visible in the status bar.

Issue	Solution
Audio is distorted.	Use the audio meter to ensure that volume peaks are within the target range (the gray area). If the level reaches the red peak indicator of the input meter, turn the gain down.
Left/right stereo channels do not match video.	Depending on the orientation of the recording device, it may be necessary to engage the Left-Right swap in MOTIV settings. If the audio has already been recorded, you can switch the left and right channels in most audio editing software.
Audio is not in sync with video	Switch to a lower frame rate or resolution size. You might achieve better performance with a less system intensive frame rate.
Unable to share file.	<p>If a file is too large to be shared, there are a couple options for reducing file size.</p> <p>Convert your file to a compressed file format.</p> <p>Connect your mobile device to your computer and use file transfer, like iTunes, to download the file to your desktop.</p> <p>Split your track in two, export both files and recombine them using audio editing software.</p>
General troubleshooting.	<p>Ensure that your app is updated to the most current version.</p> <p>Make sure that your phone's operating system is updated to the most current version.</p> <p>Check to see how the microphone works using a different connection cable or different device.</p> <p>Close and restart the application.</p> <p>Powering down and rebooting the device will clear the cache and can sometimes help with software performance.</p>

Note: It may be useful to reset the app to restore functionality. Perform a hard reset by unplugging and re-plugging the microphone.

Firmware

Firmware is embedded software in each component that controls functionality. Periodically, new versions of firmware are developed to incorporate additional features and enhancements. To take advantage of design improvements, download new versions of the firmware when prompted.

Tip: For best results, before updating the DSP, make sure that the microphone is connected to the mobile device, and that the device battery is fully charged. Do not disconnect until the update is complete.

System Requirements

System Requirements and Compatibility: iOS

- **iOS:** iOS 12 and higher
- **iPhone:** iPhone 6 and higher
- **iPod Touch:** 6th gen

Note: iPad Pro (USB-C) is not supported.

Using iPad with USB-C

It is possible to record into an iPad with MOTIV microphones using a USB-C cable. However, you will only be able to adjust the mic gain. In order to use all the features that MOTIV has to offer, connect the MOTIV mic to a second device (not an iPad) that is using the ShurePlus MOTIV app. With this second device you can adjust mic settings for your recording situation. The settings are retained in the MOTIV mic and when you reconnect to the iPad, you will be able to record using the settings you have selected.

Remember: The iPad (USB-C) will only support gain adjustment for MOTIV microphones. For access to the full range of features, connect your mic to a compatible device and configure settings in the MOTIV app. The mic will retain settings to work with the iPad.

System Requirements and Compatibility: Android

Will work with any Android device that has:

- Android Oreo 8.0 and higher
- USB Host Power Requirement of ≥ 100 mA
- USB Audio Class 1.1 support and higher

Android is a trademark of Google Inc.

Note: See <https://www.shure.com/MOTIVcompatibility> for information on supportive Android devices.

System Requirements and Compatibility: Mac

- MacOS 10.13 to 10.15
- 64 bit
- Minimum 2 GB of RAM
- Minimum 500 MB of hard disk space

System Requirements and Compatibility: Windows

- Windows 10
- 64 bit
- Minimum 2 GB of RAM
- Minimum 500 MB of hard disk space

Specifications

MFi Certified

Yes

DSP Modes (Presets)

Speech/Singing/Acoustic/Loud/Flat

Transducer Type

Cardioid (10 mm)/Bidirectional Condenser Cartridge (10 mm)

Polar Pattern

Adjustable Width Stereo/Mono Bidirectional/Mono Cardioid/Mid-Side

Stereo Principle

Mid-Side

Frequency Response

20 Hz to 20,000 Hz

Adjustable Gain Range

0 to +36 dB

Sensitivity

-37 dBFS/Pa at 1 kHz [1] [2]

Maximum SPL

120 dB SPL [2]

Limiter

Yes

Compressor

Yes

Equalizer

5-band

Power Requirements

Powered through USB or Lightning connector

Housing

All metal construction

Net Weight

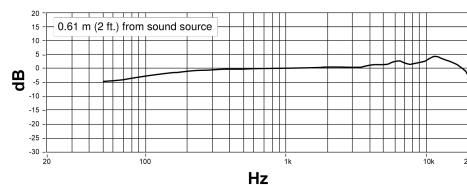
Without Windscreen	79.0 g (2.78oz.)
With Windscreen	81.5 g (2.87oz.)

Dimensions

Without Windscreen	27 x 27 x 77 mmH x W x D
With Windscreen	44 x 44 x 93 mmH x W x D

[1] 1 Pa=94 dB SPL

[2]At Minimum Gain, Flat Mode



Frequency Response

Bit Depth	Sampling Rate
24	48 kHz
24	44.1 kHz
16	48 kHz
16	44.1 kHz

Supported Audio Formats

Android

PCM/WAV	Up to 352 KHz
AAC	256, 128, 96

iOS

PCM/WAV	Up to 352 KHz
MP4 Audio	Audio file extensions: .mp4, .m4a, .m4p, .m4b
AAC	256, 128, 96

Accessories

Furnished Accessories

	AMV88-WS
	AMV88-CC
	AMV-USBC15
	AMV-LTG15
	DeviceClamp

Optional Accessories

	AMV88-FUR
1 m Lightning cable	AMV-LTG

Certifications

Information to the user

This device complies with part 15 of the FCC Rules. Operation is subject to the following two conditions:

1. This device may not cause harmful interference.
2. This device must accept any interference received, including interference that may cause undesired operation.

Note: This equipment has been tested and found to comply with the limits for a Class B digital device, pursuant to part 15 of the FCC Rules. These limits are designed to provide reasonable protection against harmful interference in a residential installation. This equipment generates uses and can radiate radio frequency energy and, if not installed and used in accordance with the instructions, may cause harmful interference to radio communications. However, there is no guarantee that interference will not occur in a particular installation. If this equipment does cause harmful interference to radio or television reception, which can be determined by turning the equipment off and on, the user is encouraged to try to correct the interference by one or more of the following measures:

- Reorient or relocate the receiving antenna.
- Increase the separation between the equipment and the receiver.
- Connect the equipment to an outlet on a circuit different from that to which the receiver is connected.
- Consult the dealer or an experienced radio/TV technician for help.

Industry Canada ICES-003 Compliance Label: CAN ICES-3 (B)/NMB-3(B)

Note: Testing is based on the use of supplied and recommended cable types. The use of other than shielded (screened) cable types may degrade EMC performance.

This product meets the Essential Requirements of all relevant European directives and is eligible for CE marking.

The CE Declaration of Conformity can be obtained from: www.shure.com/europe/compliance

Authorized European representative:

Shure Europe GmbH
Global Compliance
Jakob-Dieffenbacher-Str. 12
75031 Eppingen, Germany
Phone: +49-7262-92 49 0
Email: info@shure.de
www.shure.com



Made for iPad (5th generation), iPad (6th generation), iPad (7th generation), iPad (8th generation), iPad Air 2, iPad Air 3, iPad Mini 4, iPad Mini 5, iPad Pro 9.7-inch (1st generation), iPad Pro (12.9-inch) 1st generation, iPad Pro 10.5-inch 2017 (2nd generation), iPad Pro 12.9-inch 2017 (2nd generation), iPhone 6s, iPhone 6s Plus, iPhone SE, iPhone 7, iPhone 7 Plus, iPhone 8, iPhone 8 Plus, iPhone X, iPhone Xs, iPhone Xs Max, iPhone XR, iPhone 11, iPhone 11 Pro, iPhone 11 Pro Max, iPhone 12, iPhone 12 Mini, iPhone 12 Pro, iPhone 12 Pro Max, iPhone SE 2, iPod Touch (7th generation).

iPad, iPhone, iPod and iPod touch are trademarks of Apple Inc., registered in the U.S. and other countries. iPad Air, iPad mini, and Lightning are trademarks of Apple Inc. The trademark "iPhone" is used in Japan with a license from Aiphone K.K.

Android Compatibility

This equipment is compatible with Android devices that support USB Audio Class 2.0 and USB-C connectivity. Not all Android devices are compatible. Android is a trademark of Google Inc.

Dropbox and the Dropbox logo are trademarks of Dropbox, Inc.

Shure MOTIV is not affiliated with or otherwise sponsored by Dropbox, Inc.

PIXI[®] and Manfrotto[®] are registered trademarks of Vitec Imaging Solutions. Mini tripod maximum weight: 1Kg/2.2 lbs.